

# Ralco

X-RAY COLLIMATORS



Value, Quality and Experience



## R 221 ACS

**Multilayer, square field, automatic collimation system with a lightweight and compact design intended for installation on mobile and stationary X-ray equipment.**

**This device has been designed and manufactured for skeletal investigations and ER applications.**

**This model includes the following standard features:**

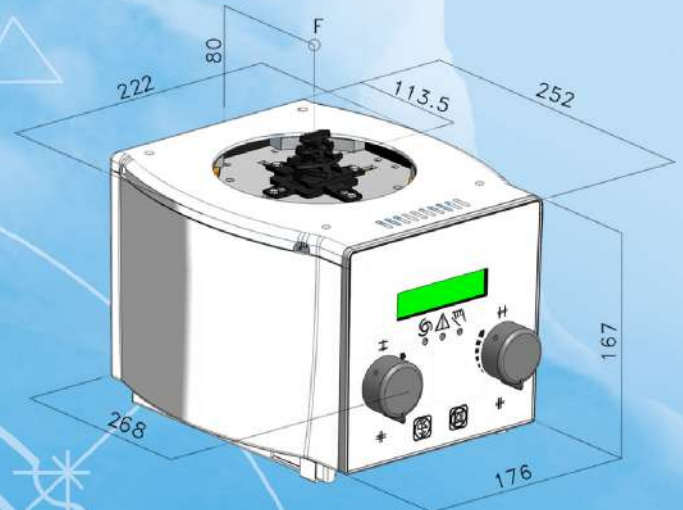
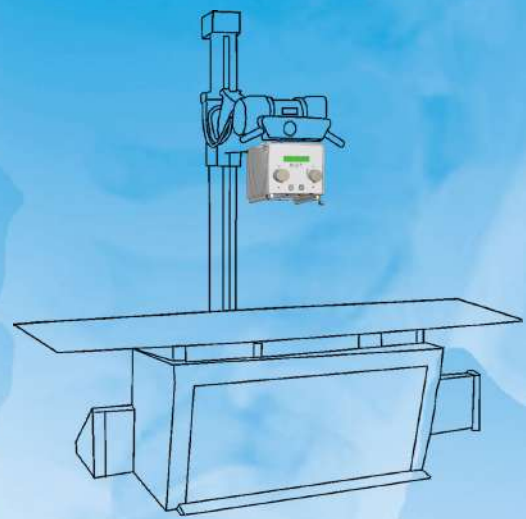
- Maximum Radiation Leakage: 150 kVp - 4 mA
- Multilayer Square Field: 0x0 cm to 48x48 cm at 100 cm SID
- Minimum Inherent Filtration: 2 mm Al equivalent
- Additional Variable Filtration (on request)
- White LED
- Dimensions: 268x222x167 mm
- Weight: 9.5 Kg
- 6 Pairs of Shutters
- Accessory Guide Rails
- Color Customizations and Many Other Personalization Options Available

# R 221 ACS

## TECHNICAL FEATURES

Application	Mobile, Remote Control, Ceiling Suspension and Tube Stand X-Ray Equipment		
Mode of Operation	Automatic		
Power Supply	24 V AC/DC - 2 A		
cCSAUs and DHHS Certification	◆		
Mounting Plane	Standard: 80 mm		
	Customized	✗	
Leakage Radiation	125 kVp - 4 mA	✗	
	150 kVp - 4 mA	✓	
Field Type	Square Field	With Potentiometer	◆
		Without Potentiometer	✓
	Round Field		✗
Minimum Inherent Filtration	2 mm Al equivalent	✓	
	1 mm Al equivalent	◆	
	Customized	✗	
Additional Variable Filtration	Manual	✗	
	Motorized	◆	
Light Source	LED	✓	
	Halogen Lamp	✗	
	No Light	✗	
SID Measurement	Electronic	◆	
	Retractable Tape Measure	✓	
Image Receptor Alignment	Centering Light		✗
	Single Laser	Class I	✓
		Class II	◆
	Double Laser	Class I	◆
Class II		◆	
Flanges and Spacers	Iron mounting flange spacers: 1.5 thickness		◆
	Fixed	Metal	◆
		Resin	✗
	Rotating	Metal	◆
Resin		✓	
Collimator Mounting Method	Manual Alignment with Metal Flange		◆
	Automatic Centering with Metal Flange		◆
	Automatic Centering with Resin Flange		◆
	Customized Attachment		◆
User Interface	CAN-Bus		✓
	CAN-Open		◆
Patient Monitoring Camera			◆
Proximity Sensor			◆
Infrared Control Box to Command Collimator Functions			◆
Touchscreen Display			◆
Semiautomatic Mode (front panel with push buttons included)			◆
Asymmetric Longitudinal and Transversal Shutters			◆

✓ Standard    ◆ Optional    ✗ Not Available



### HEAD OFFICE

Via Dei Tigli 13G  
20853 BIASSONO (MB)  
ITALY  
Tel. 0039 039 24 979 25  
FAX 0039 039 24 977 99  
Email: [ralco@ralco.it](mailto:ralco@ralco.it)  
[www.ralco.it](http://www.ralco.it)  
Skype: [ralco\\_s.r.l.](https://www.skype.com/name/ralco_s.r.l)

### AMERICAN OFFICE

4970 Robert J. Mathews Pkwy #180  
El Dorado Hills, CA 95762  
USA  
Tel. 001 916 990 5172  
Email: [info@ralcousa.com](mailto:info@ralcousa.com)  
[www.ralcousa.com](http://www.ralcousa.com)  
Skype: [ralcousa](https://www.skype.com/name/ralcousa)

**CUSTOM MODELS ON REQUEST**

DR R 221 ACS Rev. B - ACD 012/21